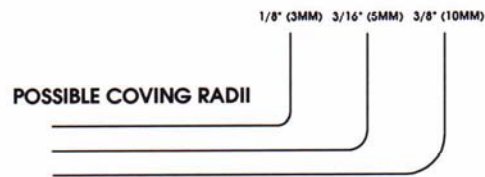
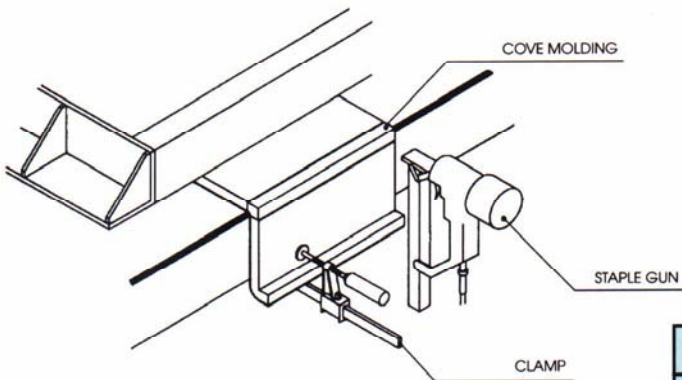
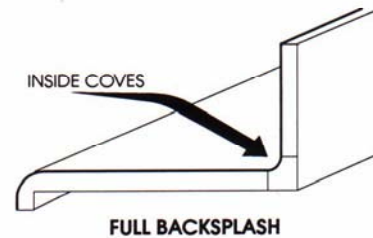


Evans Machinery Model 0190 Coving Machine



The Evans Machinery Model 0190 **Coving Machine** is for bending inside cove bends for back splashes. The 0190 is available with either a 1/8" (3mm), 3/16" (5mm), or 3/8" (10mm) radius coving rod heater that is thermostatically controlled. Other options available include a timer and pneumatic bending clamps.



Coving Length	Maximum 12' (3660mm)
Back Splash Height	Minimum 1" (25mm) Maximum 34" (860mm)
Air	80 P.S.I.
Electrical	110 Volt 1Ph 15 Amps 220 Volt 1Ph 8 Amps
Weight	1800 lbs.



EVANS MACHINERY, INC.

5530 N. 51ST AVENUE, GLENDALE, AZ 85301
WEB www.evansmachineryinc.com

PO BOX 1406 85311
PHONE 623-934-7294 FAX 623-934-7384